

General safety warning signs and instructions



WARNING

General warnings, please observe the following instructions!



Warning, crushing hazard!



Warning, sharp object!



Warning of hot surfaces!



Warning of flammable substances / fire hazard warning



Read the operating instructions for your device and the enclosed safety instructions carefully!



Always disconnect your device from the power source before carrying out repair work!



Always wear suitable protective gloves!

Safety instructions

Freezer

IMPORTANT

These are only exemplary illustrations, please always refer to the operating instructions for your device!

All safety instructions describe in detail the potential risks they address and contain precise instructions on how to avoid injury, damage to property or electric shock as a result of improper handling. Please observe the following guidelines:



WARNING



1. Disconnect the appliance from the power supply before carrying out the procedures described.
2. Use protective gloves before starting work.

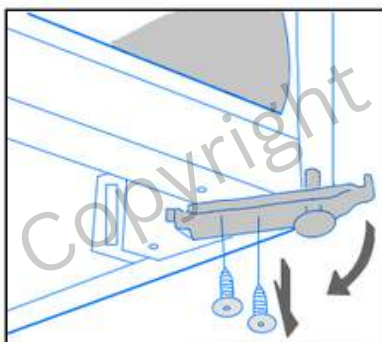
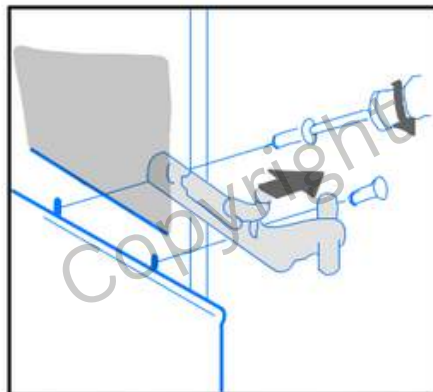
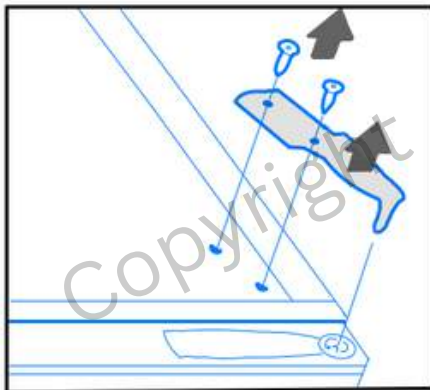
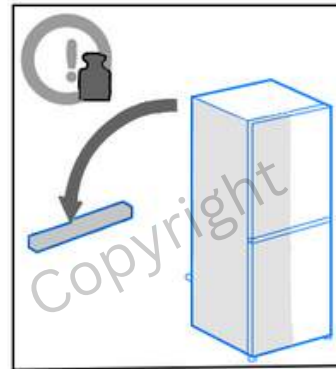
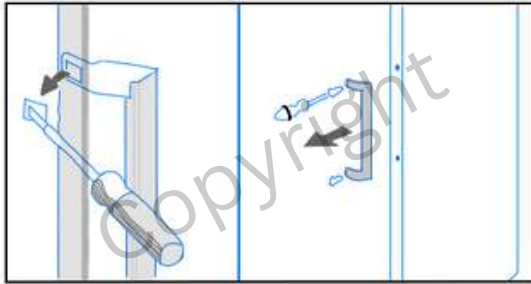
- Always disconnect the appliance from the power source before carrying out installation work.
- Installation and repairs should be carried out by qualified specialists in accordance with the manufacturer's instructions and the applicable local safety regulations. Therefore, only carry out repairs or replace parts yourself if this is expressly provided for in the user manual.
- Only use certified spare parts, in case of doubt original spare parts.
- Do not touch accessories and spare parts with wet hands.
- Always wear suitable work gloves when installing or maintaining accessories.
- Read all instructions carefully to avoid improper use and the associated risk of injury.
- If the coolant circuit is damaged:
 - Avoid naked flames and sources of ignition, keep all types of fire and sources of ignition away.
 - Ventilate the room well: Ensure that the room in which the appliance is located is thoroughly ventilated to minimize the risk of dangerous gas accumulation.
- Children and persons with reduced physical, sensory or mental capabilities or lack of experience and knowledge should only use the appliance under supervision or after thorough instruction by responsible persons.
- Keep packaging material out of the reach of children: Children could wrap themselves in packaging materials such as plastic bags or foil or pull them over their heads, which could lead to suffocation. Therefore, make sure that packaging materials are kept out of the reach of children.

Thermostat removal



Abbildung folgt....

Removal of door hinge + door handle



Safety instructions

Refrigerator

CAUTION FOR COOKING APPLIANCES WITH GAS CONNECTION

Special item that may only be installed by an authorised specialist/installer. Caution:

- Danger to life if incorrectly connected!

IMPORTANT

These are only exemplary illustrations, please always refer to the operating instructions for your device!

All safety instructions describe in detail the potential risks they address and contain precise instructions on how to avoid injury, damage to property or electric shock as a result of improper handling. Please observe the following guidelines:



WARNING



1. Trennen Sie das Gerät von der Stromversorgung, bevor Sie die beschriebenen Vorgänge ausführen.
2. Verwenden Sie Schutzhandschuhe, bevor Sie mit der Arbeit beginnen.

- Always disconnect the appliance from the power source before carrying out installation work.
- Installation and repairs should be carried out by qualified specialists in accordance with the manufacturer's instructions and the applicable local safety regulations. Therefore, only carry out repairs or replace parts yourself if this is expressly provided for in the user manual.
- Only use certified spare parts, in case of doubt original spare parts.
- Do not touch accessories and spare parts with wet hands.
- Always wear suitable work gloves when installing or maintaining accessories.
- Read all instructions carefully to avoid improper use and the associated risk of injury.
- If the coolant circuit is damaged:
 - Avoid naked flames and sources of ignition, keep all types of fire and sources of ignition away.
 - Ventilate the room well: Ensure that the room in which the appliance is located is thoroughly ventilated to minimise the risk of dangerous gas build-up.
- Children and persons with reduced physical, sensory or mental capabilities or lacking sufficient experience and knowledge should only use the appliance under supervision or after thorough instruction by responsible persons.
- Keep packaging material out of the reach of children: Children could wrap themselves in packaging materials such as plastic bags or film or pull them over their heads, which can lead to suffocation. Therefore, make sure that packaging materials are kept out of the reach of children.

Removal of door hinge + door handle

